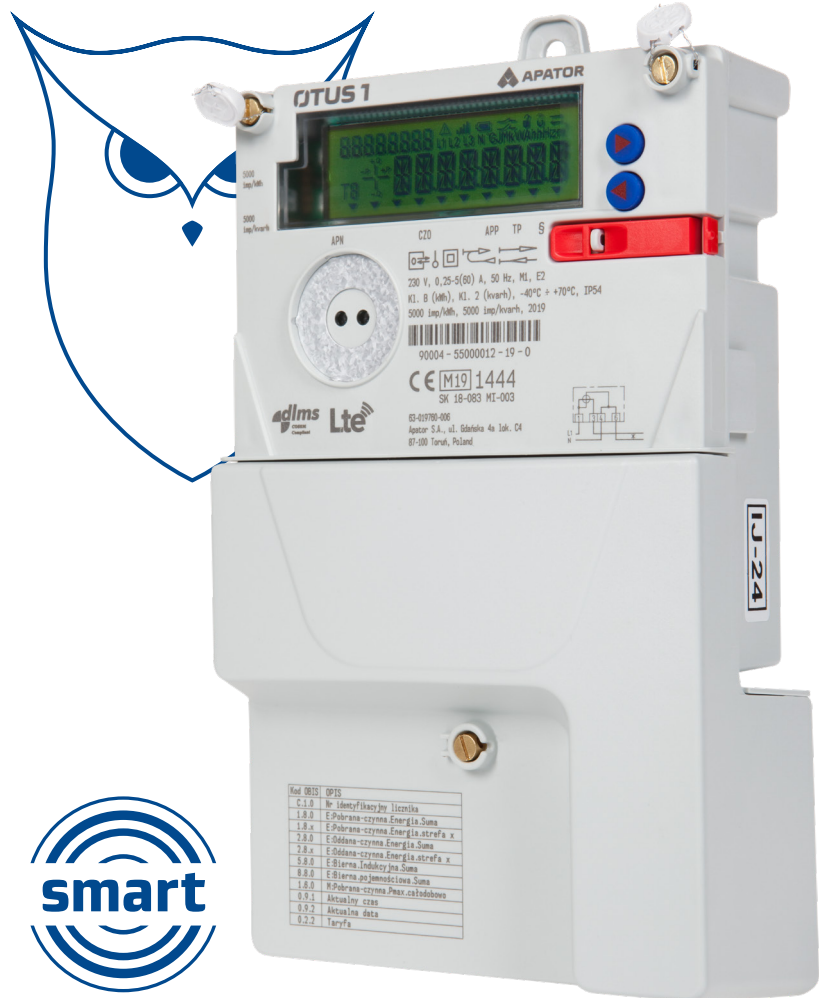


# Single-phase electricity meter OTUS 1



## Application

Multipurpose smart electricity meter for single-phase two-wire networks. Enables direct measurement of active and reactive energy and of network parameters. It is ideal for municipal customers of all tariff groups. Provides full compatibility with smart systems.



## Features

- Bidirectional measurement of active energy
- Four-quadrant measurement of reactive energy
- Four tariff metering
- Measurement of voltage, current, instantaneous power and maximum power
- Recording measured data in the: 15-minute load profile, 10-minute voltage and phase current profile, daily profile, and monthly billing periods
- Integrated disconnecter
- Local communication via infrared port (EN-62056-21), DLMS/COSEM protocol
- Remote access via interchangeable GSM based communication module located under the terminal cover, RS485 port (optional), built in Wireless M-Bus (EN 13757) on 868 MHz (optional)
- Authorized and encrypted communication by DLMS/COSEM protocol
- Power limiter controlled locally or remotely via DSM/DSR signals
- Remote non-legally relevant firmware update
- Segment LCD display allowing for the display of text messages
- Immunity to external magnetic field
- Neutral current measurement, balancing phase current and neutral current
- Event and alarm handling
- Relay contact output 240 V AC / 5 A (optional) or SO impulse output (optional)

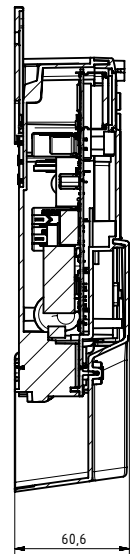
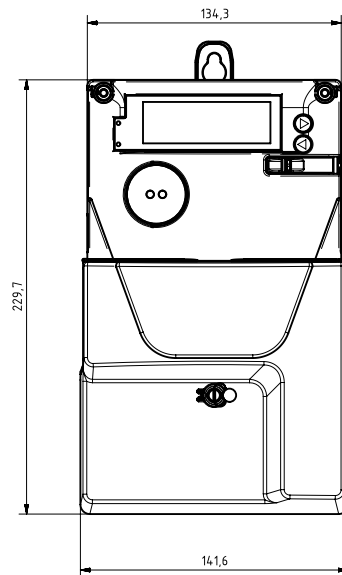
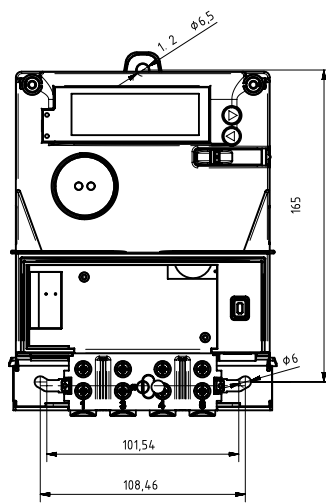
Do you know that...



**OTUS** means an **OWL**  
in Latin: a symbol of  
wisdom and intelligence.

## Basic technical data

Model	OTUS 1	
Connection method	direct	
Rated voltage $U_n$	[V]	230
Reference current $I_{ref}$	[A]	5
Maximum current $I_{max}$	[A]	40
Frequency	[Hz]	50
Accuracy of active energy measurement	acc. EN 50470-3	B
Accuracy of reactive energy measurement	acc. EN 62053-23	2
Insulation	[kV]	4 (AC 50 Hz), 6 (surge 1,2/50 $\mu$ s)
Pulse rate	[imp/kWh]	5000
RTC	Internal, accuracy better than 0.5 s/24 h at 23°C	
Communication	GSM based communication module located under the terminal cover, RS485 port (optional), built in Wireless M-Bus (EN 13757) on 868 MHz (optional)	
Display	LCD, display area: 65 x 20 mm	
Operating temperature	-40 to +70°C	
Casing	II protection class	
Ingress protection rating	acc. PN-EN 60529	IP54
Standards	EN 50470-1 EN 50470-3	



kWh

kvarh

$P_{(t)}$

$P_{max}$

$P_{III}$