

# Three-phase electricity meter OTUS 3 for RES



## Application

Bidirectional smart meter designed for photovoltaic installations that operate in the power grid, ensuring the settlement of prosumers using the net energy metering method (NEM) while allowing any method of energy balancing. The meter works well in autonomous or stand-alone installations.

## Features

- Bidirectional measurement of active energy
- Four-quadrant measurement of reactive energy
- Four tariff metering
- Measurement of voltage, current, instantaneous power and maximum power
- Recording measured data in the: 15-minute load profile, 10-minute voltage and phase current profile, daily profile, and monthly billing periods
- Integrated disconnector
- Local communication via infrared port (EN-62056-21), DLMS/COSEM protocol
- Remote access via interchangeable GSM based communication module located under the terminal cover, RS485 port (optional), built in Wireless M-Bus (EN 13757) on 868 MHz (optional)
- Authorized and encrypted communication by DLMS/COSEM protocol
- Power limiter controlled locally or remotely via DSM/DSR signals
- Remote non-legally relevant firmware update
- Segment LCD display allowing for the display of text messages
- Immunity to external magnetic field
- Neutral current measurement, balancing phase current and neutral current
- Event and alarm handling
- Relay contact output 240 V AC / 5 A (optional) or SO impulse output (optional)

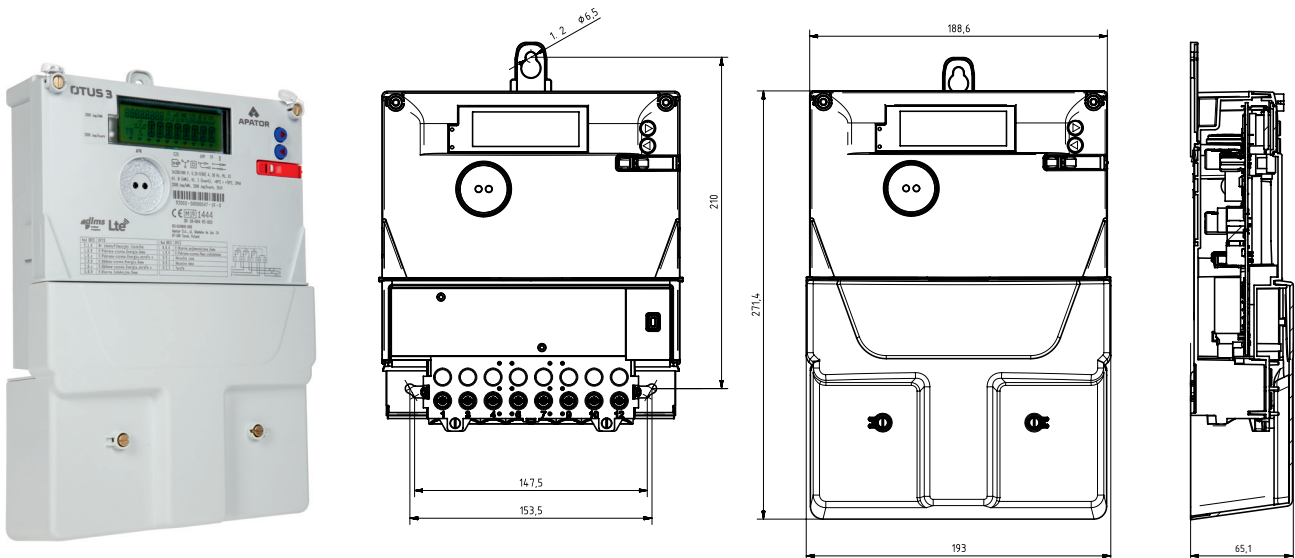
Do you know that...



**OTUS** means an **OWL**  
in Latin: a symbol of  
wisdom and intelligence.

## Basic technical data

Model	OTUS 3	
Connection method	direct	
Rated voltage $U_n$	[V]	3x230/400
Reference current $I_{ref}$	[A]	5
Maximum current $I_{max}$	[A]	80
Frequency	[Hz]	50
Accuracy of active energy measurement	acc. EN 50470-3	B
Accuracy of reactive energy measurement	acc. EN 62053-23	2
Insulation	[kV]	4 (AC 50 Hz), 6 (surges 1,2/50 $\mu$ s)
Pulse rate	[imp/kWh]	2500
RTC	Internal, accuracy better than 0.5 s/24 h at 23°C	
Communication	GSM based communication module located under the terminal cover, RS485 port (optional), built in Wireless M-Bus (EN 13757) on 868 MHz (optional)	
Display	LCD, display area: 65 x 20 mm	
Operating temperature	-40 to +70°C	
Casing	II protection class	
Ingress protection rating	acc. PN-EN 60529	IP54
Standards	EN 50470-1 EN 50470-3	



kWh

kvarh

$P_{(t)}$

$P_{max}$

$P_{III}$