



# INVONIC 2, INVONIC 2M

Ultrasonic heat meter /  
Cooling energy meter

## APPLICATION

INVONIC 2, INVONIC 2M is designed for commercial accounting of heating and cooling energy when heating media is water and is used in centrally heated objects: residential houses or heat supply objects.

- Static liquid metering using ultrasonic technology
- High accuracy
- For residential and commercial use
- Heating and Cooling
- MID DN15 - DN100

The thermal energy meter can be made in two design variants:

- complete meter (modification INVONIC 2), consisting of flow sensor and calculator with inseparable Pt500 temperature sensors;
- combined meter (modification INVONIC 2M), consisting of a flow sensor and a calculator with a connected pair of Pt500 temperature sensors with type approval.

## AMR INTERFACES, OPTIONAL

- W-Mbus 868 MHz (only on-board)
- MBus
- ModBus

## MEASURING ACCURACY CLASS 2

## OPTICAL INTERFACE

WIntegrated into the front panel of calculator. It is designed for data reading via M-bus protocol and parameterization of the meter.

## RADIO INTERFACE

The internal radio provides data reading via WMBUS telegram: S1, T1 OMS mode.

WMBUS telegram:

- Current total Energy
- Current flow
- Current date and time
- Accounting date information
- Error date

## LCD INDICATOR

- The device is equipped with 8-digits LCD (Liquid Crystal Display) with special symbols to display parameters, measurement units and operation modes.
- The following information can be displayed:
  - integral and instantaneous measured parameters,
  - archive data and set day data,
  - device configuration information.
- Programmable LCD displaying parameters.



## SPECIAL FEATURES

- Flexible meter configuration. Meter is delivered in user configuration mode with possibility to configure meter parameters and features as: units, mounting position, pulse inputs/outputs, e.t.c.
- Accuracy class 2
- Nominal flow 0.6 | 1.0 / 1.5 / 2.5 / 3.5 / 6.0 / 10.0 / 15.0 / 25.0 | 40.0 | 60.0 m³/h
- Dynamic range up to  $O_p/Q_i = R 100/250$
- Protection class IP65/67/68
- Nominal pressure PN16/25 bar
- Temperature of conveying liquid: 5°C ... 130°C
- Metering archive: hourly, daily, monthly
- Battery lifetime 15 + 1 years
- Power supply options: Battery/External
- Mounting in any installation position
- Tariff functions
- Can be equipped with two outputs or pulse inputs

## DATA LOGGER - HISTORY VALUES

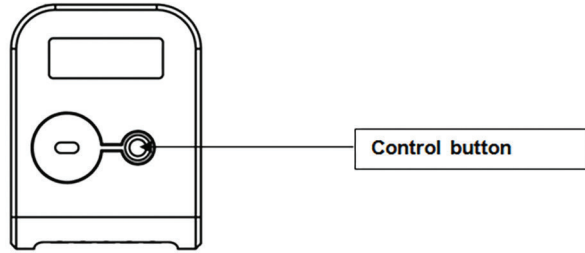
- Every hour, day and month values of the measured parameters are stored in internal memory
- All data from archive can be read by means of the remote reading
- In addition data logger records of monthly parameters can be seen on the display
- Hours for archive records: 1480 hours
- Days for archive records: 1130 days
- Months for archive records: 36 months

Time of storage of all measured integral data, also without power supply to the electronic unit: at least 15 years.

## DATA REGISTRATION

Hourly, daily and monthly parameter values:

- Integrated energy
- Integrated cooling energy
- Integrated energy of tariff
- Integrated volume of liquid
- Integrated pulse value in pulse input 1/2
- Maximum thermal power value for heating/cooling and date
- Maximum value of flow/return temperature of heat conveying liquid and date
- Minimum value of flow/return temperature of heat conveying liquid and date
- Minimum value of temperature difference and date
- Average value of flow/return temperature of heat conveying liquid
- Operating time without an error
- Total error code
- Time when the flow rate exceeded  $1,2 Q_s$
- Time when the flow rate was less than  $Q_i$



## POWER SUPPLY

Power supply (one of following depending on meter configuration):

- AA battery 3,6 V 2,4 Ah (Li-SOCl<sub>2</sub>) battery, operation time at least 15 + 1 years
- 12 ... 42 V DC or 12 ... 36 V 50 / 60Hz AC external power supply, used current 10 mA and back up battery AA 3,6 V (Li-SOCl<sub>2</sub>)
- 230 V (+ 10% - 30%) 50 I 60Hz AC power supply, current consumption is not more than 10 mA

## TECHNICAL DATA

Flow rate sensor	$q_p$ [m <sup>3</sup> /h]	0.6 / 1.0 / 1.5 / 2.5 / 3.5 / 6.0 / 10 / 15 / 25 / 40 / 60
	R $q_p/q_i$ [m <sup>3</sup> /h]	100/250
	Resolution of flow-rate indicators:	00000.001 m <sup>3</sup>
Technical data	LCD Display	8-digit
	Protection class [IP]	IP65/67/68
	Ambient class	Class B / EN 14 154
	Ambient temperature	+5°C ... +65°C
	Units (selectable by the user when installing):	kWh; MWh; GJ; Gcal; m <sup>3</sup>
	Resolution of energy indicators (selectable by the user when installing):	0000000.1 kWh 00000001 kWh 00000.001 MWh (Gcal or GJ) 000000.01 MWh (Gcal or GJ)
	Installation position	all installation positions (vertical, horizontal, rising pipe, down pipe)
	Nominal pressure [bar]	PN16/25 bar
	Pressure loss	0,63 / (0,25) bar
	Battery lifetime	15 + 1 years
	Flow sensor cable length	1,2 m (2,5 m or 5 m – special order)
	Temperature sensor Pt500, two-wire connection, cable length	Up to 5 m
	Temperature measurement range	0°C – 90°C, 0°C – 130°C
	Mounting of calculator	Mounting on standard DIN-rail or on the wall
	Number of configurable pulse inputs/ outputs	2 or no (to be specified when ordering), OB – in the operating mode; OD – in the test mode

## PULSE VALUE IN THE OPERATING MODE

- When the output is configured for energy, the value of its pulses can be selected from the list (depending on the rated flow  $q_p$  and energy measurement units):

Permanent flow rate, $q_p$ , m <sup>3</sup> /h	0.6 – 6	10 – 60
Energy pulse value, when units are "kWh" or "MWh"	0.001; 0.01; 0.1; 1 MWh/pulse	0.01; 0.1; 1 MWh/pulse
Energy pulse value, when units are "GJ"	0.001; 0.01; 0.1; 1 GJ/pulse	0.01; 0.1; 1 GJ/pulse
Energy pulse value, when units are "Gcal"	0.001; 0.01; 0.1; 1 Gcal/pulse	0.01; 0.1; 1 Gcal/pulse

- When the output is configured for water quantity, the value of its pulses can be selected from the list (depending on the permanent flow  $q_p$ ):

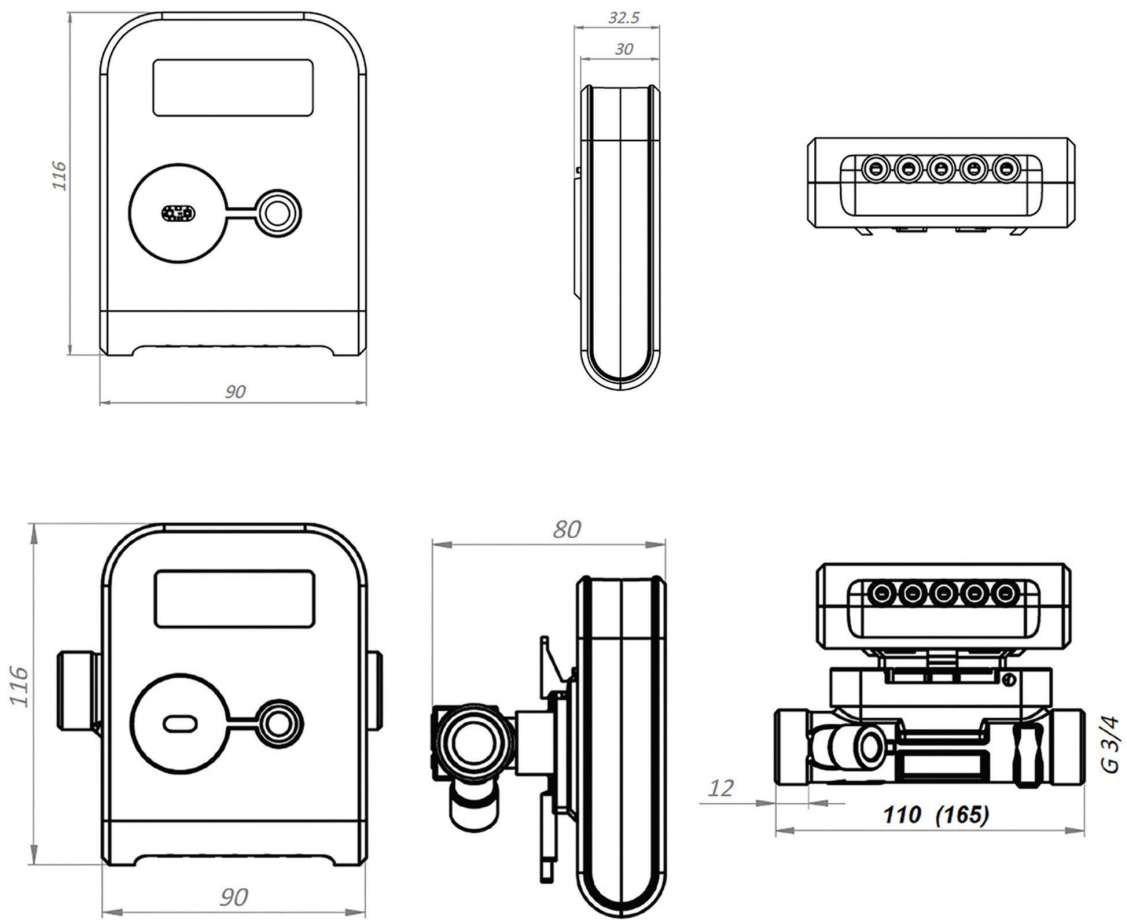
Permanent flow rate, $q_p$ , m <sup>3</sup> /h	0.6 – 6	10 – 60
Water volume pulse value, m <sup>3</sup> /pulse	0.001; 0.01; 0.1; 1	0.01; 0.1; 1

- If the meter is ordered with the pulse input-output device, then a permanently connected 1.5 m length cable is fitted in the meter for connecting the inputs-outputs:

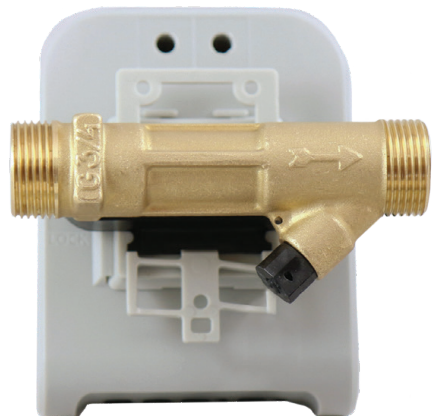
Permanent flow rate, $q_p$ , m <sup>3</sup> /h	Upper flow rate, $q_u$ , m <sup>3</sup> /h	Lower flow rate, $q_l$ , m <sup>3</sup> /h	Threshold value of flow rate, m <sup>3</sup> /h	Length of the flow sensor L, mm	Pressure loss at $q_p$ , kPa	Joining to the pipeline (Thread - G, flange - DN)
0.6	1.2	0.006	0.003	110	7	G3/4"
0.6	1.2	0.006	0.003	190	0.9	G1" or DN20
1	2	0.01	0.005	110	11.3	G3/4"
1	2	0.01	0.005	190	2.5	G1" or DN20
1.5	3	0.006	0.003	110; 165	17.1	G3/4"
1.5	3	0.006	0.003	190	5.8	G1" or DN20
1.5	3	0.015	0.003	110; 165	17.1	G3/4"
1.5	3	0.015	0.003	190	5.8	G1" or DN20
1.5	3	0.015	0.005	130	7.2	G1"
2.5	5	0.01	0.005	130	19.8	G1"
2.5	5	0.01	0.005	190	9.4	G1" or DN20
2.5	5	0.025	0.005	130	19.8	G1"
2.5	5	0.025	0.005	190	9.4	G1" or DN20
3.5	7	0.035	0.017	260	4	G1 1/4", G1 1/2", DN25 or DN32
6	12	0.024	0.012	260	10	G1 1/4", G1 1/2", DN25 or DN32
6	12	0.06	0.012	260	10	G1 1/4", G1 1/2", DN25 or DN32
10	20	0.04	0.02	300	18	G2" or DN40
10	20	0.1	0.02	300	18	G2" or DN40
15	30	0.06	0.03	270	12	DN50
15	30	0.15	0.03	270	12	DN50
25	50	0.1	0.05	300	20	DN65
25	50	0.25	0.05	300	20	DN65
40	80	0.16	0.08	300	18	DN80
40	80	0.4	0.08	300	18	DN80
60	120	0.24	0.12	360	18	DN100
60	120	0.6	0.12	360	18	DN100

## SIZE AND DIMENSIONS

- Electronic unit: 115 mm x 30 mm x 90 mm



DN [mm]	15	20	25	40	50	65	80	100
L [mm]	110/165	130/190	260	300	270	300	300	360
H [mm]	80	84/112	131/137	118/150	159	185	200	225
G / Flange DN	G3/4*	G1" or DN20	G1 1/4" or DN25	G2" or DN40	DN50	DN65	DN80	DN100



The data here is current on the date of issue.

The manufacturer has the right to modify and improve the products without prior notice.

This publication is intended for information purposes only and shall not be construed as a commercial offer under the Polish Civil Code.



**Apator Powogaz S.A.**

Jaryszki 1c, 62-023 Żerniki, Poland

**Office:** sekretariat.powogaz@apator.com, tel. +48 61 84 18 101

**Sales / Customer Service:** tel.: +48 61 84 18 149

**Customer Service Centre Support:** handel.powogaz@apator.com

**Export:** export.powogaz@apator.com

**Technical Support:** support.powogaz@apator.com, tel. +48 61 8418 131, 134, 294

**Warranty Claims:** reklamacje.powogaz@apator.com