

WI

WI-NKP

Meters for irrigation water (DN40-250)

Application

For measuring of consumption of water drawn from the rivers or water bodies, as well as for measuring the outflow of purified sewage from closed-circuit systems in sewage treatment plants, with a temperature up to 50°C, on the maximum working pressure up to 16 bar (PN16). Suitable for installation in the horizontal hoses (pipelines) with the counter directed upwards (H), or in vertical (V) or diagonal hoses. Irrigation water meters come standard with IP65 counters in version -03. There is also an IP68 protection class counter available in the -08 version. Meters for irrigation water in standard version are adapted to operation in the systems of remote data transfer (AMR).



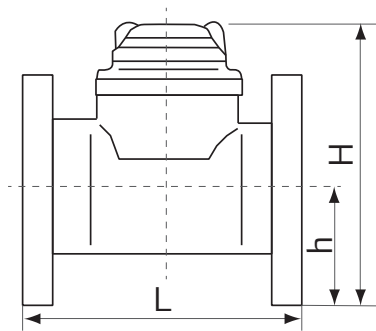
Key features

- Adaptation of the -03 water meters (NKP) to NK transmitters
- Adaptation of water meters in version -08 for installation of inductive communication modules (not applicable to versions with NK transmitters)
- Easy reading of the abacus indications
- Hermetic counters, IP68 option
- counter mechanism with blockade against multiple rotating, at rotation angle more than 358°
- Double sided axle bearing
- Reliability of indications

Technical data

Nominal diameter	DN	mm	40	50	65	80	100	125	150	200	250
Communication	-	-	WI (without transmitter) or WI (adaptation of the meter to the NK transmitter) in the -NKP version (does not apply to execution 08)								
Parameters according to PN-EN-14268:2005											
Overload flow rate	Q_4	m ³ /h	25	31,25	50	78,75	125	200	312,5	500	787,5
Nominal flow rate	Q_3	m ³ /h	20	25	40	63	100	160	250	400	630
Minimum flow rate	Q_1	m ³ /h	1	1,25	2	3,15	5	8	12,5	20	31,5
Manufacturer's parameters											
Overload flow rate	Q_4	m ³ /h	50	70	100	150	250	350	500	900	1400
Nominal flow rate	Q_3	m ³ /h	25	30	50	90	125	175	250	450	700
Minimum flow rate	Q_1	m ³ /h	1	1,2	2	3	4,8	8	10	18	30
Indicating range	-	m ³	9 999 999								
Resolution of the reading	-	m ³	0,005								
Accuracy of indications	-	m ³	±5								
Working pressure range	-	bar	0,3 to 16								
Temperature class	for cold water	-	T30, T50								
Meter tightness class	-	-	IP65 - version -03 - plastic covers, rotary counter IP68- version -08 - plastic covers, rotating counter, adaptation to cooperation with inductive pads								
Dimensions	L	mm	200	200	200	225	250	250	300	350	450
	h	mm	65	72	83	94	105	118	135	160	190
	H	mm	225	230	240	250	260	305	335	335	385
245			250	260	270	280	325	355	355	405	
Weight	-	kg	7,8	9	10	12	16	20	25	38	43

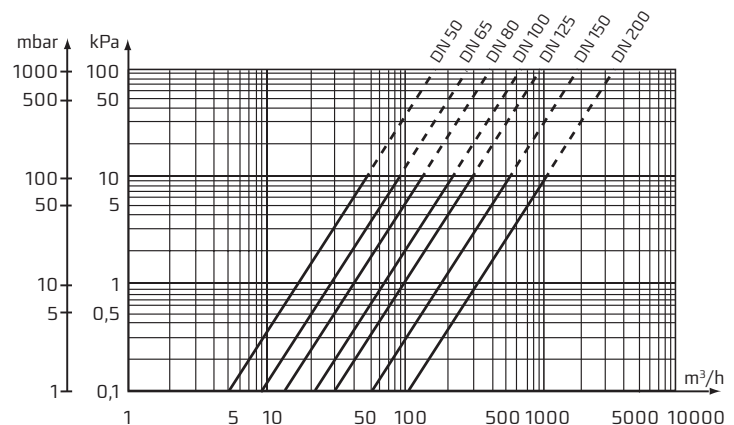
Flange drilling: according to PN-EN 1092-2 (PN10), DIN 2532, DIN2501 (PN10), BS4504 (PN10)



Example:
meter in version 03 -NKP



Pressure loss chart



Reed relay (reed contact)

- voltage < 30 VDC
- current, 100 mA
- cable length 2 m
- pulse value 1/0,1 m³ – type 03; 04
- recommended pulse value - 1 m³

The data shown here is current on the date of issue.

The manufacturer has the right to modify and improve the products without notice.

This publication is indicative only and should not be construed as a commercial offer under the Polish Civil Code.



Apator Powogaz S.A.

Jaryszki 1c, 62-023 Żerniki

Secretariat: sekretariat.powogaz@apator.com, tel. +48 61 84 18 101

Sales Department / Customer Service: tel: +48 61 84 18 149

Customer Service Center: handel.powogaz@apator.com

Export: export.powogaz@apator.com

Technical support: support.powogaz@apator.com, tel. +48 61 8418 131, 134, 294

Complaints: reklamacje.powogaz@apator.com